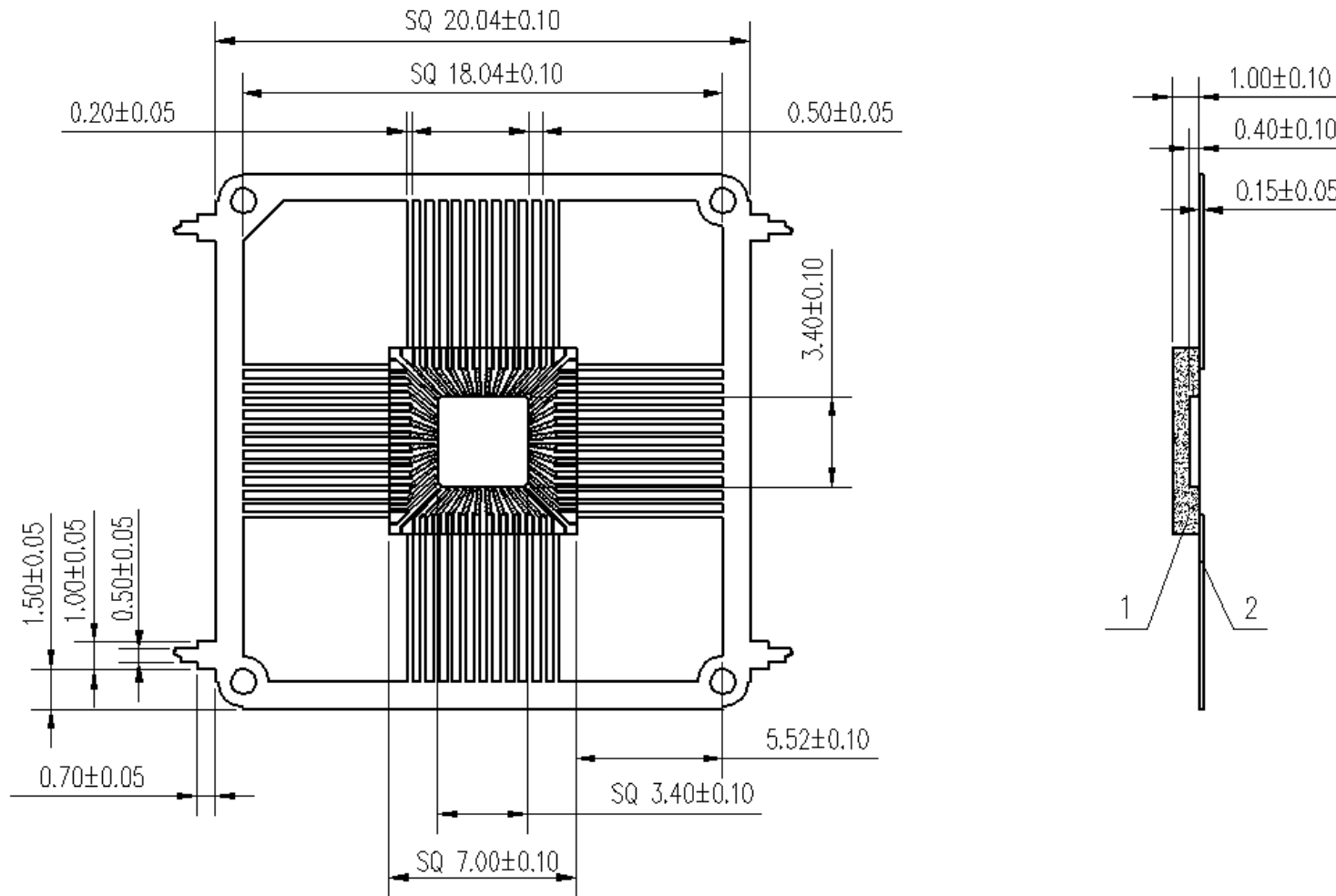


CQFP48



1 Lead; 2 Al_2O_3 Ceramic